



Quote Request Form

Project Information

Name _____

Date _____

Phone # _____

Fax # _____

Location _____

Email _____

Product Type:

Lattice Laguna

Insulated Maxx Panel

Flat Pan Newport

W-Pan Carport

Finish:

Bevel

Miter

Scallop

Korbel

Color Preference:

Spanish Brown

Adobe

Latte

Desert Sand

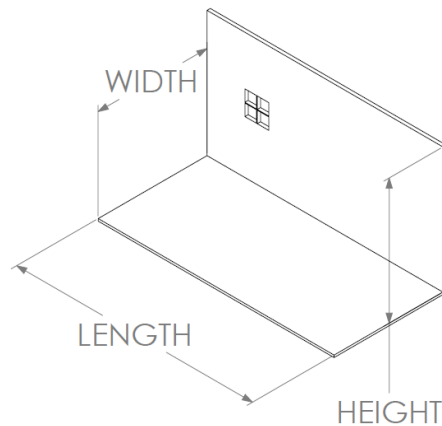
Mojave Tan

Senora Beige

White

Dimensions:

	Length (ft.)
	Width (ft.)
	Height (ft.)



Special Considerations:

Local Snow Load Requirement: _____

Circle One:

Attached to House?

Freestanding?

Existing Slab?

Notes:

FAX requests to (505)-341-9178 or e-mail to TettoLLC@AOL.com

Quotes will be returned within 48 hours. All quotes based on standard project costs.